

Artificial Turf Pull-Out Jig



This is a jig for test of artificial turf pull-out.

Model	QRATP-401
Sample Size	100 × 100
Movement	X, Y
Dimension	250 × 250
Weight	15

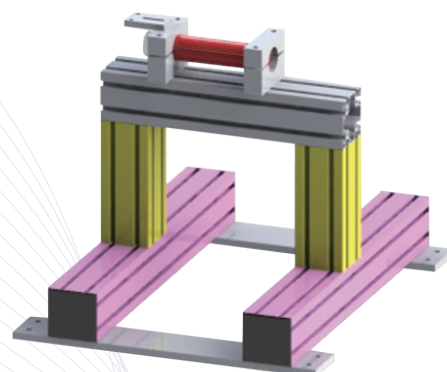


Bicycle Fork Jig

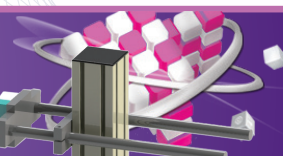


This jig is used to test bending strength of bicycle fork.

Model	QRATP-401
Sample Size	100 × 100
Movement	X, Y
Dimension	250 × 250
Weight	15



Bicycle Frame Impact Jig



This jig is used to test deformation of bicycle body by impact.

Model	QRBFS-401
Displacement Sensor	Laser
Dimension (mm)	350 × 120 × 1 600
Weight	11

